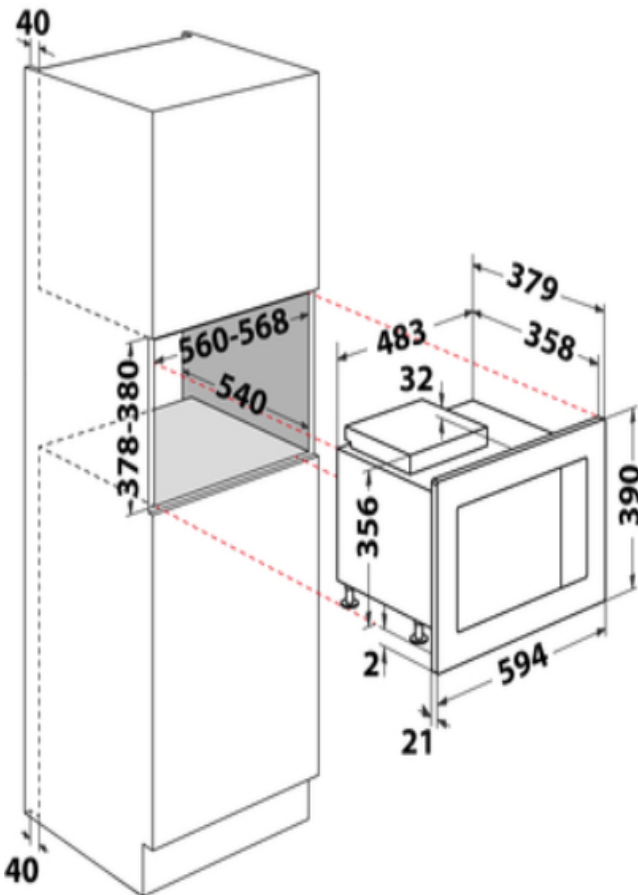


MF25GUK IX A

Built in 25L Microwave
EAN Code: 4897068762669



Convenience and ease of use are some key features that modern day working adults look for when it comes to making purchasing decisions. With our latest **4-in-1** microwave, Ariston aspires to take care of your everyday needs. The Trim Kit Microwave comes with **10 preset cooking programs** and **3 special functions**. Not only does this microwave take care of one's cooking needs, the **Auto Clean** function also ensures a fuss free cleaning experience, keeping it spick and span. Our product has been designed to perform effortlessly with an elegant design that will fit seamlessly into contemporary living spaces.



TECHNICAL SPECIFICATION

Capacity	25L
Type	Combi (MW+Grill)
Number of Program	9 - Microwave/ Grill/ Combi Grill/ Food Defrost/ Keep Warm/ Rising/ Soften & Melt/ Auto Clean
Cleaning System	Yes
Auto Recipes	10 Auto Cook Recipes
Type of Control and Display	Electronic control with Digital display
Microwave Power Cooking Level	7
Oven Glass Door	Black Glass
Surface material	Stainless Steel
Accessories	Wire Rack, Glass Turnable
Microwave Power (W)	900
Grill Power (W)	1000
Production Dimension (WxHxD) mm	390 x 595 x 378
Cut-Out Dimension (WxHxD) mm	380 x 560 x 540
Net Weight (kg)	15.95
Voltage (V) / Frequency (Hz)	220-240V / 50Hz
Current (A)	13 Amp
Connection Rating	1400W
Plug Type	UK plug with safety mark
Cable length (cm)	90cm
Country of Origin	China